

DETAIL & SUBMITTAL SHEET

WALLS & CEILINGS



SPECIFICATIONS:

Door: 14 ga. steel. Trim is 1-1/2" wide

Frame: 18 ga. steel having a depth of 1-3/4"

Hinges: Fully-concealed hinge up to and including 24 x 24. Allows opening to 165°. **Over 24 x 24 is semi-concealed allowing 180°**

Latches: Flush, stainless steel cam latch

Finish: Grey baked enamel coat

OPTIONS:

Finishes:

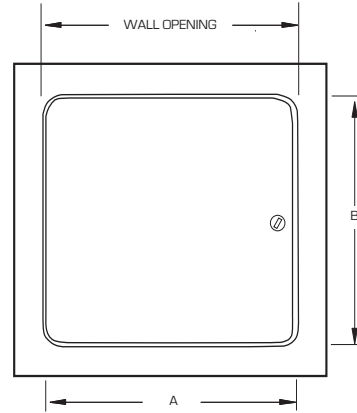
- Stainless Steel Type 304 No. 4 Satin Finish Brushed
- Stainless Steel Type 316 No. 4 Satin Finish Brushed

Options:

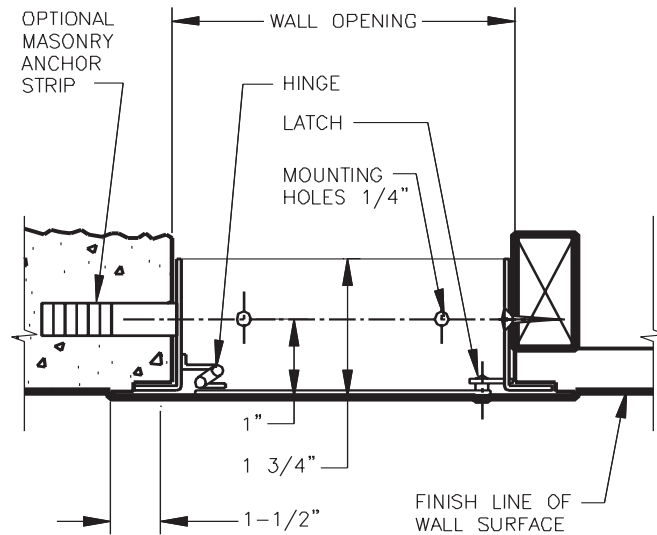
- WB 151 Key Code Cylinder locks-keyed alike with 2 keys per lock
- Mortise Best Lock
- Weather resistive neoprene gasketing all 4 sides*
- Special sizes available

✓	Item No.	Door Size W x H	Wall Opening	Cam Latch	Ship Wt. Lbs.
	GP 100	6 x 6	6 1/4 x 6 1/4	1	4
	GP 100	8 x 8	8 1/4 x 8 1/4	1	5
	GP 100	8 x 12	8 1/4 x 12 1/4	1	6
	GP 100	8 x 16	8 1/4 x 16 1/4	1	8
	GP 100	10 x 10	10 1/4 x 10 1/4	3	6
	GP 100	12 x 12	12 1/4 x 12 1/4	3	8
	GP 100	12 x 16	12 1/4 x 16 1/4	3	10
	GP 100	12 x 18	12 1/4 x 18 1/4	3	11
	GP 100	12 x 24	12 1/4 x 24 1/4	4	15
	GP 100	14 x 14	14 1/4 x 14 1/4	3	10
	GP 100	16 x 16	16 1/4 x 16 1/4	3	13
	GP 100	16 x 20	16 1/4 x 20 1/4	3	16
	GP 100	16 x 24	16 1/4 x 24 1/4	4	17
	GP 100	18 x 18	18 1/4 x 18 1/4	3	14
	GP 100	18 x 24	18 1/4 x 24 1/4	4	18
	GP 100	18 x 36	18 1/4 x 36 1/4	5	29
	GP 100	20 x 20	20 1/4 x 20 1/4	3	17
	GP 100	20 x 24	20 1/4 x 24 1/4	4	21
	GP 100	20 x 30	20 1/4 x 30 1/4	4	23
	GP 100	22 x 22	22 1/4 x 22 1/4	4	22
	GP 100	22 x 24	22 1/4 x 24 1/4	4	23
	GP 100	22 x 30	22 1/4 x 30 1/4	4	25
	GP 100	22 x 36	22 1/4 x 36 1/4	5	32
	GP 100	24 x 24	24 1/4 x 24 1/4	4	24
	GP 100	24 x 30	24 1/4 x 30 1/4	4	27
	GP 100	24 x 36	24 1/4 x 36 1/4	5	35
	GP 100	24 x 48	24 1/4 x 48 1/4	6	43
	GP 100	30 x 30	30 1/4 x 30 1/4	6	32
	GP 100	30 x 36	30 1/4 x 36 1/4	6	39
	GP 100	32 x 32	32 1/4 x 32 1/4	6	35
	GP 100	36 x 36	36 1/4 x 36 1/4	7	44
	GP 100	36 x 48	36 1/4 x 48 1/4	8	57
	GP 100	48 x 48	48 1/4 x 48 1/4	12	70

FRONT ELEVATION



SECTION DETAIL



This precision-flush access door for wall and ceiling installation far surpasses other doors because its surround trim is welded on all four sides to the return frame providing strength and rigidity. The frame is laser cut from one sheet of steel for visual aesthetics.

Distributed by
www.AccessDoor.com
 Phone: (800) 608-6568
 Fax: (409) 840-5545
 info@accessdoor.com

* Closed cell sponge, blend of Neoprene/EPDM/SBR. Meets ASTM D-1056: SCE 41, RE 41, 2A1; substrate UL 94HF-1 recognized.

Project: _____ Date: _____

Contractor: _____ Architect: _____

Sizes: _____ Quantity: _____ Approval Initials: _____



Corporate Office: 1330 Progress Drive • Front Royal, VA 22630